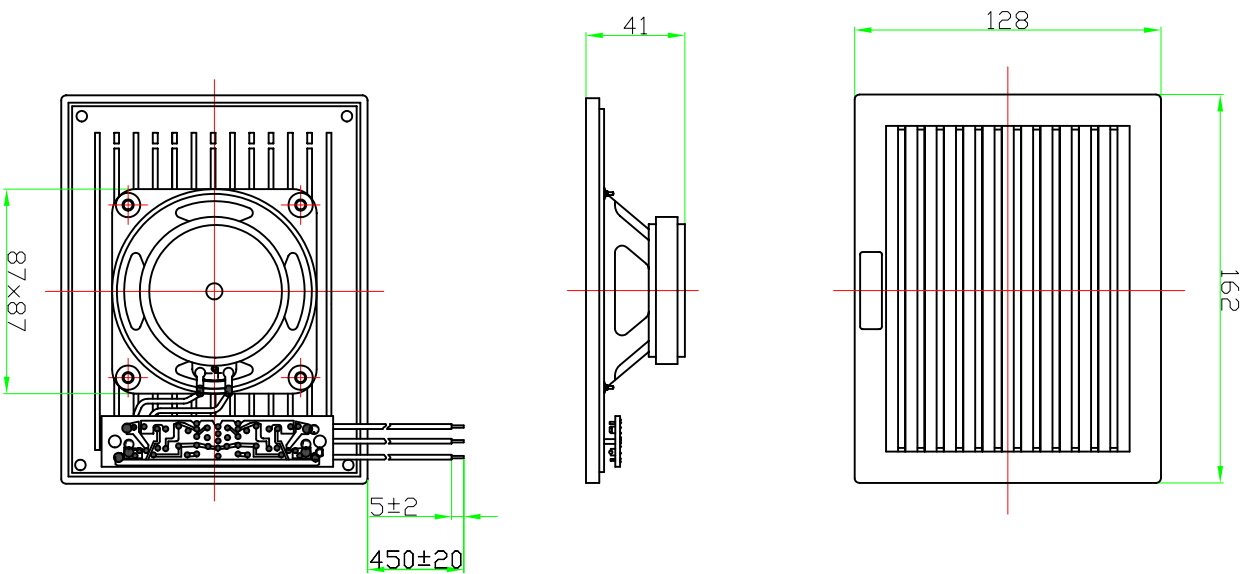


Specification

(Test Condition, 25°C)

1. Housing Material ABS
2. Housing Color White
3. Voice Coil Impedance 8 Ohm (at 1 KHz)
4. Voice Coil Dimension $\varnothing 20$ mm(Dia.)
5. Magnet Size 60*32*8 mm(Dia.* dia.*H)
6. Power Rating RMS 10 W
7. Power Rating Peak 15 W
8. Rated Voltage 12 VDC
9. Range Voltage 6--14 VDC
10. Common Room S.P.L. 99 \pm 2 dB (at 1 meter, 12 VDC, Warble and Steady)
11. Current Draw 400 mA Max. (at 12 VDC)
12. Load Test 8 Hours (at 12 VDC)
13. Heat Test 8 Hours (at 85°C)
14. Operating Temperature range -20 ~ +85°C
15. Wires Connection Red Warble (+)
 Yellow Steady (+)
 Black Common (-)
 (0.18mm*34 lead wires, 300mm long with 5mm stripped & tinned)
16. Weight 363 \pm 10 g



| | | | | | | |
|------------------------|--|-------------|----------|----------|--|------------|
| No. | | DESCRIPTION | APPROVED | DATE | DSW NINGBO DSW AUDIO & SECURITY EQUIPMENT http://www.dswbrand.com | |
| DESIGNER | | | | | Electron Siren | |
| DRAWN | | APPROVALS | | DATE | ES-162-2(15W) | |
| CHECKED | | | | | UNIT | DWG. NO. |
| FIRST ANGLE PROJECTION | | APPROVED | | 04.01.17 | SCALE | E1.840.005 |
| | | | | | NOT TO SCALE | SHEET |
| | | | | | | VER 1.0 |