

## SERIES ESB-122H



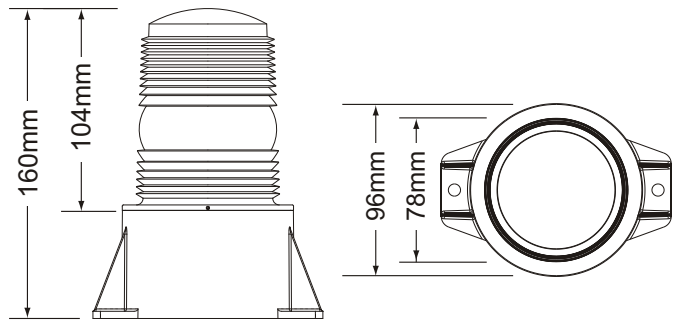
### Beacon

- Xeno or incandescent lamp
- Intermittent or fixed light
- Thermoplastic base
- IP 55 protection
- Indoor and outdoor use
- 12 V or 24 V power supply
- Several colors available

Beacon with thermoplastic base and Xeno or incandescent lamp. While the version with Xeno lamp emits intermittent light, however allowing high lighting performance with low current consumption. Thanks to the high IP degree, this beacon is suitable for outdoor applications. Recommended for use in freight elevators, heavy equipment, ships, airports, etc. Excellent quality/price ratio.

#### GENERAL SPECIFICATIONS

Feature	Acrylic Resin Super Weather Resistance
Flash Rate Type	200 +/-15 Per Minute
Operating Voltage	8 To 15VDC
Current Draw	1500mA/12 VDC
Operating Life	600 Hours At 12 VDC
Color	Amber, Blue, Red or yellow
Material	Acrylic Lens/Black ABS Base
Installation	Tab Mount
Remark	MCU design



BEACONS

#### ORDER CODES

Model No.	Rated Voltage	Rated Current	Lamp Current	Flashlight Frequency	Cover Color	Package Weight	Order Code	Notes
ESB-122H Red	12VDC	0.5A@12VDC	Xeno flash	75±10/min	Black	0.32 kg		